

JF990



SUPER ACCESSIBILITY IN TIGHT SPACES

Bringing to the ground an equipment usually mounted on a truck allows JF990 to have an **increased accessibility and a reduced size**, with a significant positive impact on logistics. Now you can transport and use an articulated crane in all areas which cannot be accessed by a truck, such as: industrial areas, town centres with narrow streets, fenced parks, etc.

DIFFERENT ATTACHMENTS

JF990 can work either horizontally or vertically with the use of either **hook or winch**. It is also possible to use a **manipulator for glass panels**, and either a **3-person hydraulic platform** used with dual articulation or a **2-person basket with the jib**, for heights of up to 29 metres. The hydraulic activation of the jib allows for the installation of any additional option.



GLASS MANIPULATOR



MAN BASKET

ONE CRANE ONE OPERATOR

The crane can be **managed entirely by a single operator** thanks to the use of a **radio controller**, which is effectively an extension of the machine that is always within reach.



INFINITE LIFTING POSSIBILITIES

We developed a software which allows for the **stabilisation of the crane via infinite combinations**. Each stabiliser can be set as desired in terms of angle and extension. One of four stability levels is **automatically calculated** according to the position of the stabilisers and the consequential tipping axis.



Jekko srl
Via Campardone, 1 - 31014 Colle Umberto (TV) Italy
info@jekko.it - www.jekko-cranes.com



JF990

Product Catalog

JF
Series

JF990

MAX 21500 kg

LxWxH 6750 x 2140 x 3110 mm

max 41 m with jib

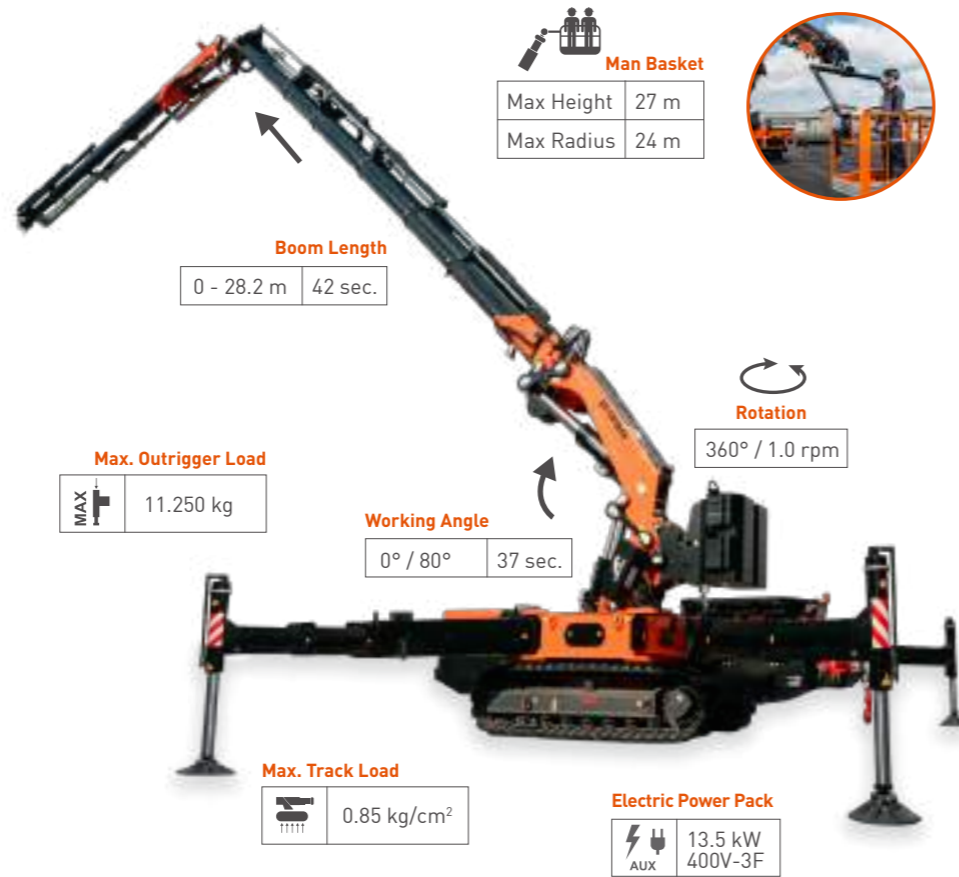
max 38 m with jib



The biggest transportable crawler crane is now available

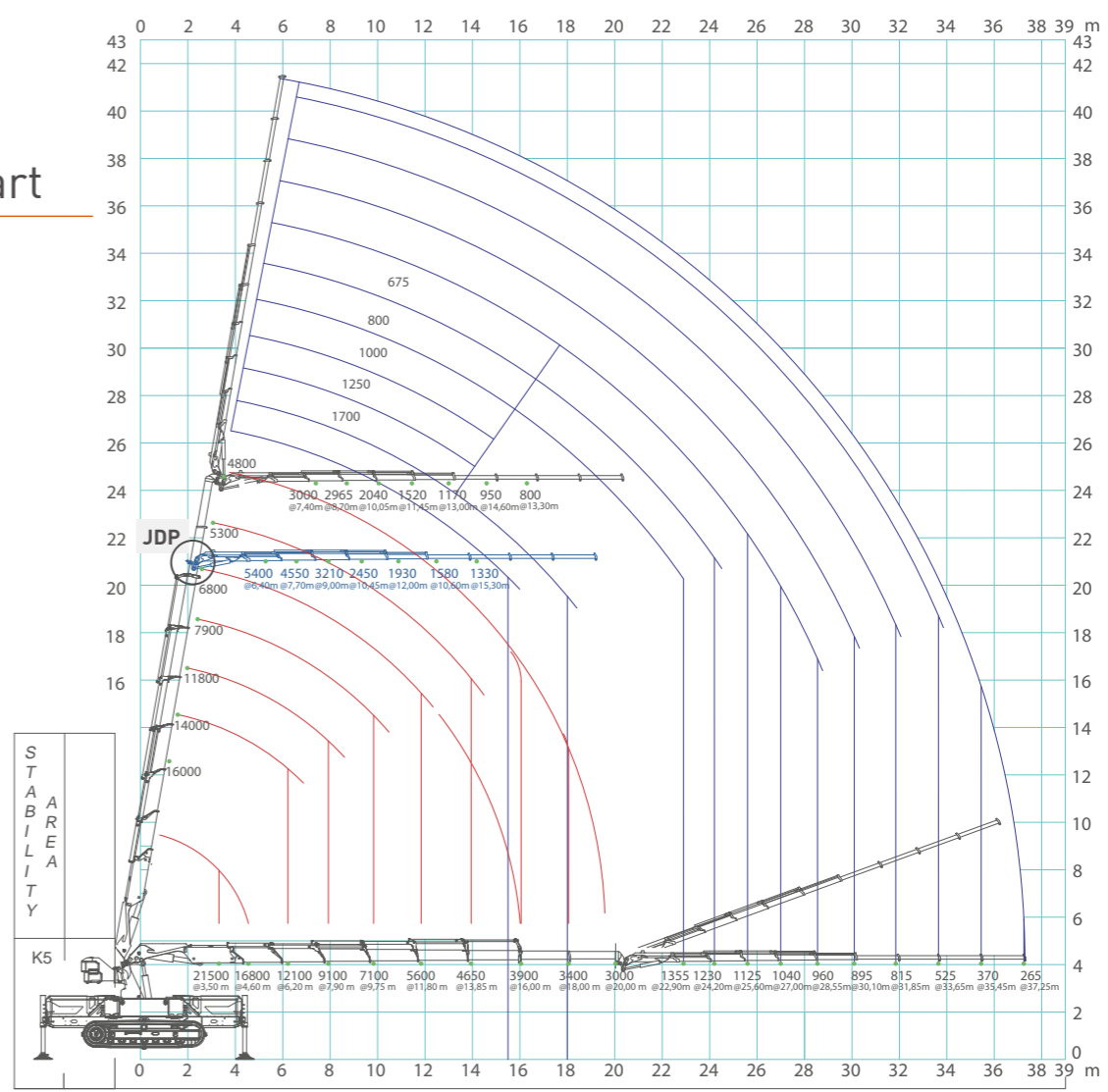
Technical Information

Dimension	LxWxH	6750 x 2140 x 3110 mm	
Stab. Area		8500 x 8500 m	
Crane & Options Weights		Kg	
	JF990	20500	
	/	2100 + 3000	
	SINGLE FALL	50	
Winch		2600 kg	
		60 m - Ø 14 mm	45-53 m/min.
JF990	Diesel Engine	DEUTZ TCD 3.6 L4 HT Stage V	55 kW / 75 Hp
Speed		2.2 km/h	
Gradability		20°	

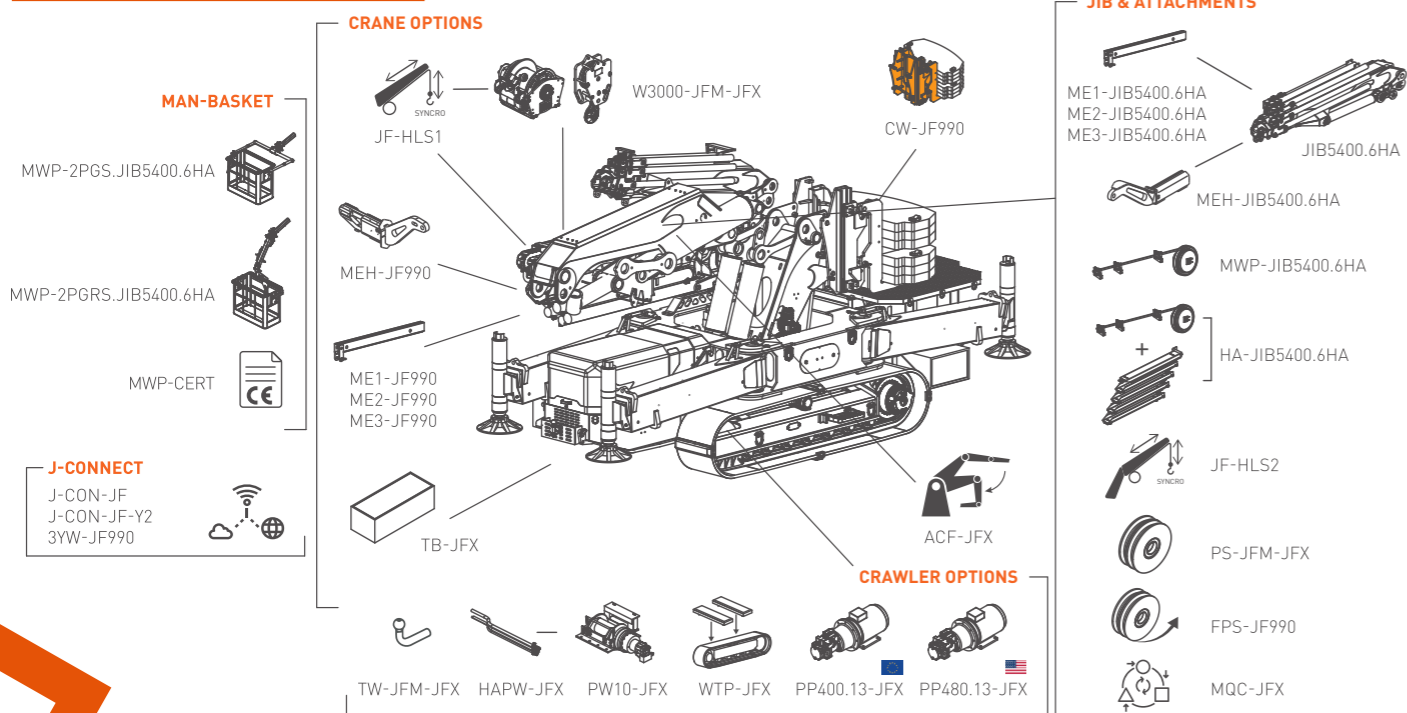


Load Chart

JDP: with 7° and 8° extension closed.



Crane Options



Dimensions

