



JF365

Product Catalog

**JF**  
Series

# JF365

MAX 11500 kg

LxWxH 5450 x 1790 x 2660 mm

max 30 m with jib

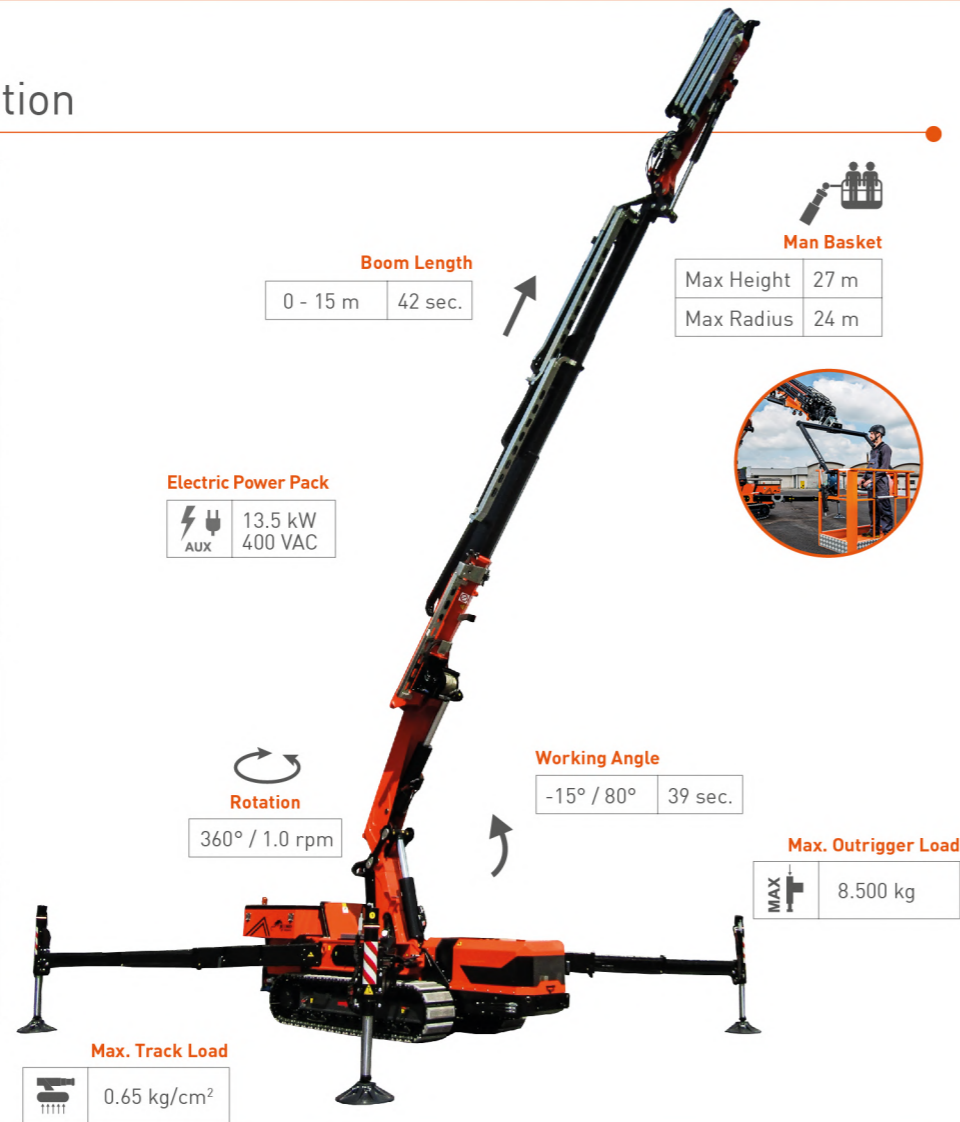
max 30 m with jib

This model combines an articulated truck loader crane with a self-propelled crawler chassis. It offers a glimpse into the future of crawler cranes.

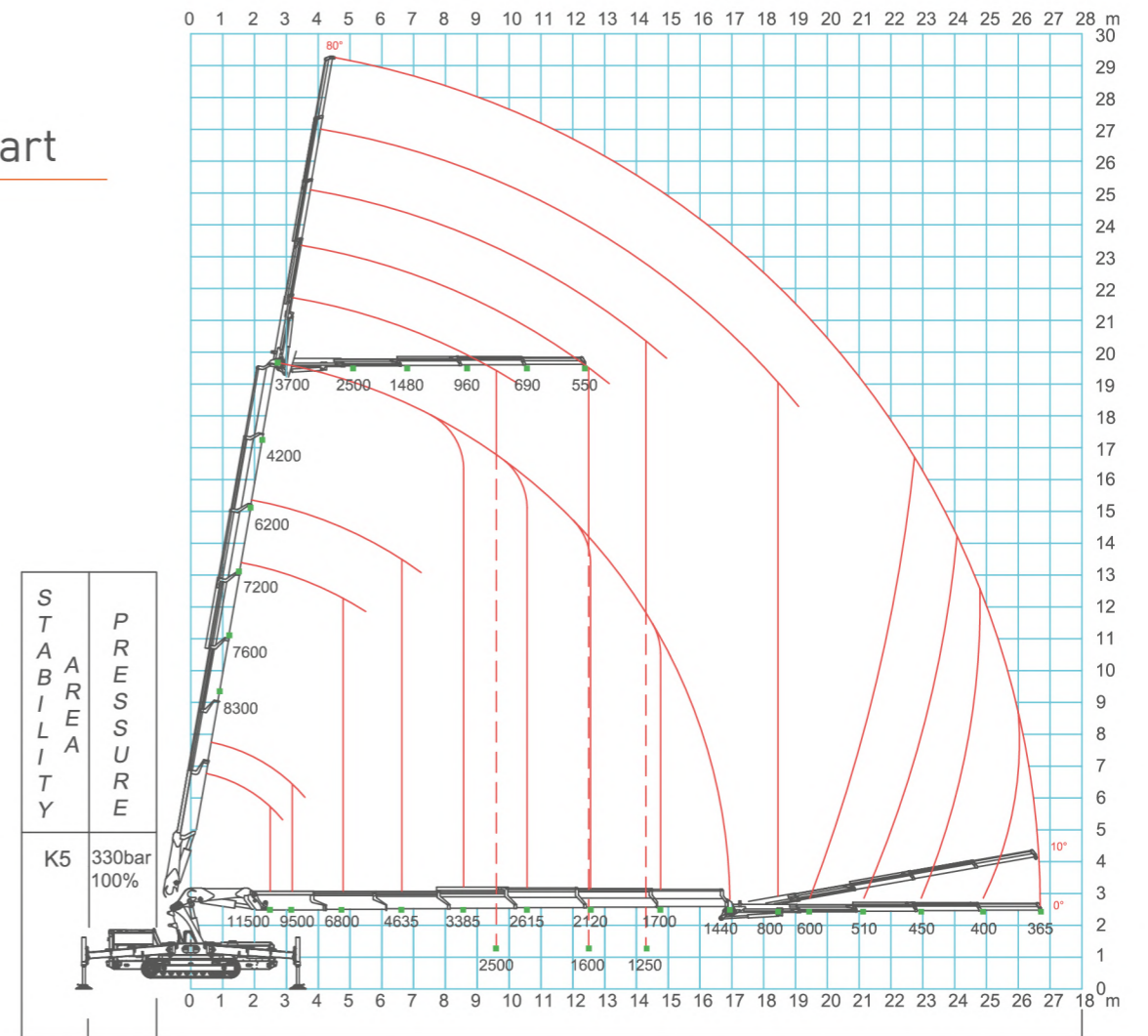


## Technical Information

Dimension	LxWxH	5450 x 1790 x 2660 mm	
Stab. Area		6700 x 6700 mm	
Crane & Options Weights		Kg	
	JF365	12300	
	/	0	
	SINGLE FALL	47	
	JIBL214	700	
BASKET	200		
Winch		2600 kg	
		60 m - Ø 12 mm	
		36.5-47 m/min.	
JF365	Diesel Engine	KUBOTA V3307-CR-TE4B	55.4 kW 74 Hp
Speed		2.5 km/h	
Gradeability		20°	



## Load Chart



## Crane Options

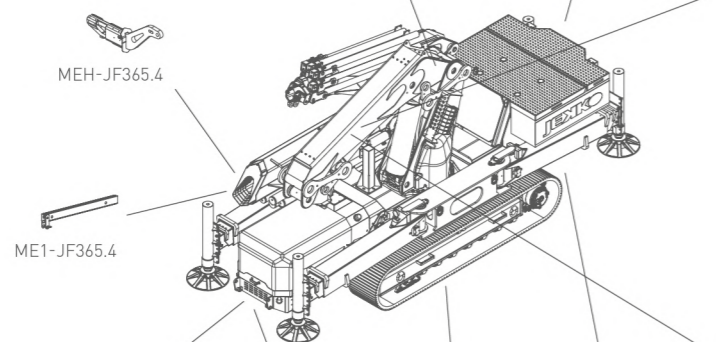
### COLORS & STICKERS

- PC1 JFM-RAL
- PC2 JFM-RAL
- PC3 JFM-RAL



LAYOUT

- JF-HLS1
- W2000-JFM
- MWP-JFM



### CRAWLER OPTIONS

- +1 yr
- JF-RA1E
- JF-RA1
- HAPW-JFM
- PW10-JFM
- WTP-JFM
- PP400.13-JFM

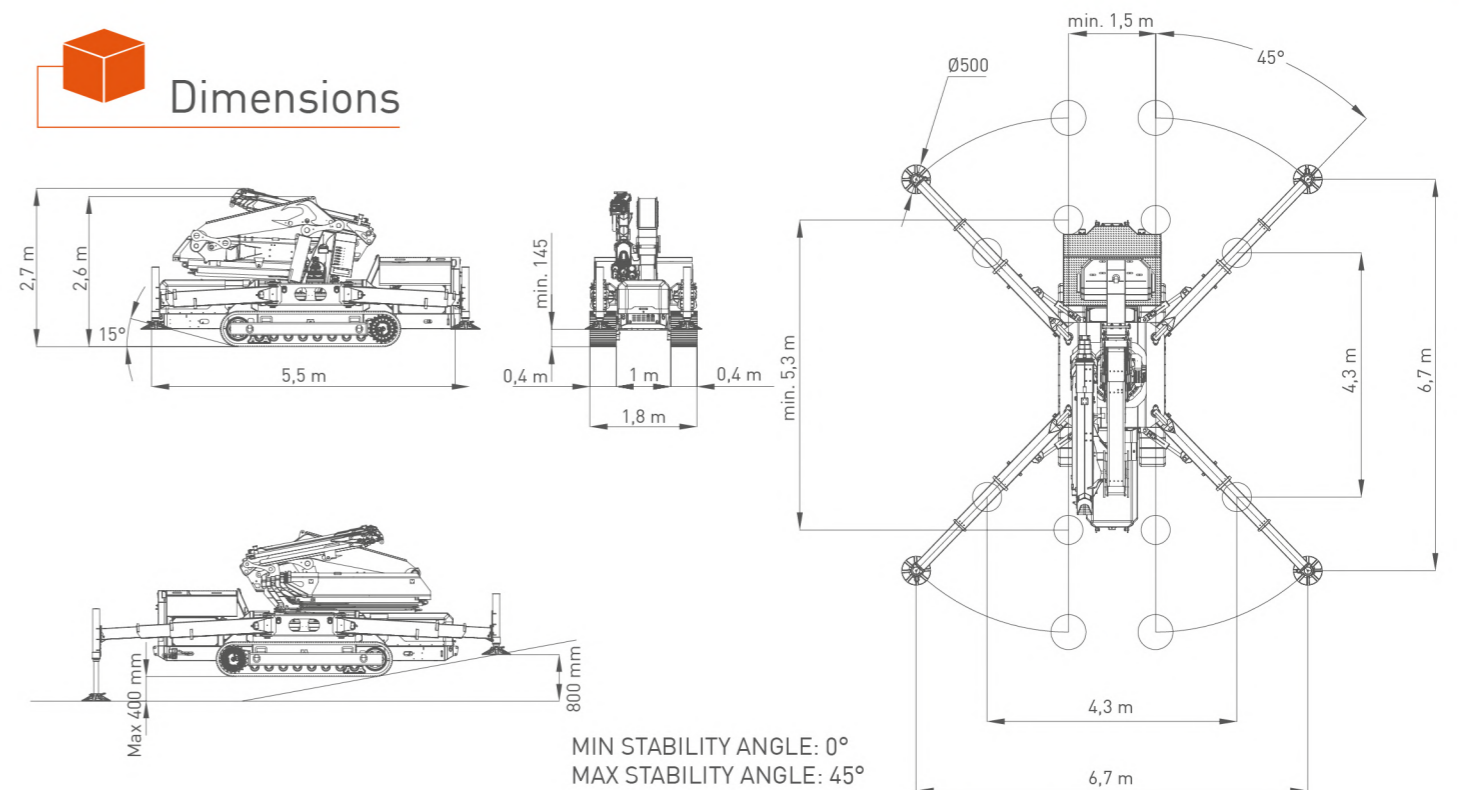
### JIB & ATTACHMENTS

- ME1-JIB2500.4HA
- JIB2500.4HA
- MEH-JIB2500.4HA
- MWP-JIB2500.4HA
- HA-JIB2500.4HA
- PS-JF365
- FPS-JF365
- JF-HLS2

### MAN-BASKET

- MWP-2PG.JIB2500.4HA
- MWP-2PGR.JIB2500.4HA
- MWP-CERT-JFM

## Dimensions



# JF365



## SUPER ACCESSIBILITY IN TIGHT SPACES

Bringing to the ground an equipment usually mounted on a truck allows JF365 to have an **increased accessibility and a reduced size**, with a significant positive impact on logistics. Now you can transport and use an articulated crane in all areas which cannot be accessed by a truck, such as: industrial areas, town centres with narrow streets, fenced parks, etc.

## DIFFERENT ATTACHMENTS

JF365 can work either horizontally or vertically with the use of either **hook or winch**. It is also possible to use a **manipulator for glass panels**, and either a **3-person hydraulic platform** used with dual articulation or a **2-person basket with the jib**, for heights of up to 29 metres. The hydraulic activation of the jib allows for the installation of any additional option.



GLASS MANIPULATOR



MAN BASKET

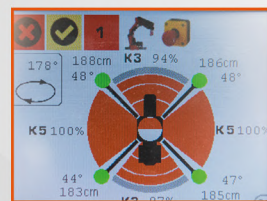
## ONE CRANE ONE OPERATOR

The crane can be **managed entirely by a single operator** thanks to the use of a **radio controller**, which is effectively an extension of the machine that is always within reach.



## INFINITE LIFTING POSSIBILITIES

We developed a software which allows for the **stabilisation of the crane via infinite combinations**. Each stabiliser can be set as desired in terms of angle and extension. One of four stability levels is **automatically calculated** according to the position of the stabilisers and the consequential tipping axis.



Jekko srl

Via Campardone, 1 - 31014 Colle Umberto (TV) Italy  
info@jekko.it - www.jekko-cranes.com